

This drawing and the content represented are the exclusive property of AREA srl and cannot be used without their prior written consent. For site installations verify all dimensions and notify Area of any on-site discrepancies prior to construction. Drawing scale may be affected by printing, scanning, or copying. Do not scale drawings.



Archicart® | Area srl
via Isidoro Bracchi sn
95014 Giarre (CT) - Italy
+39 095 718 4730
www.archicart.com
info@archicart.com

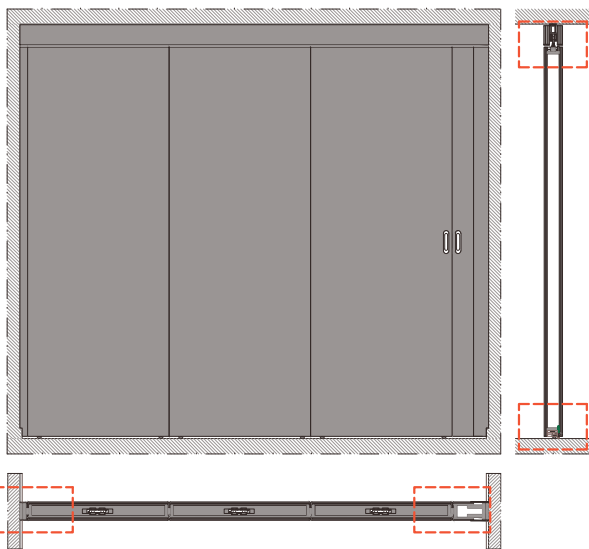
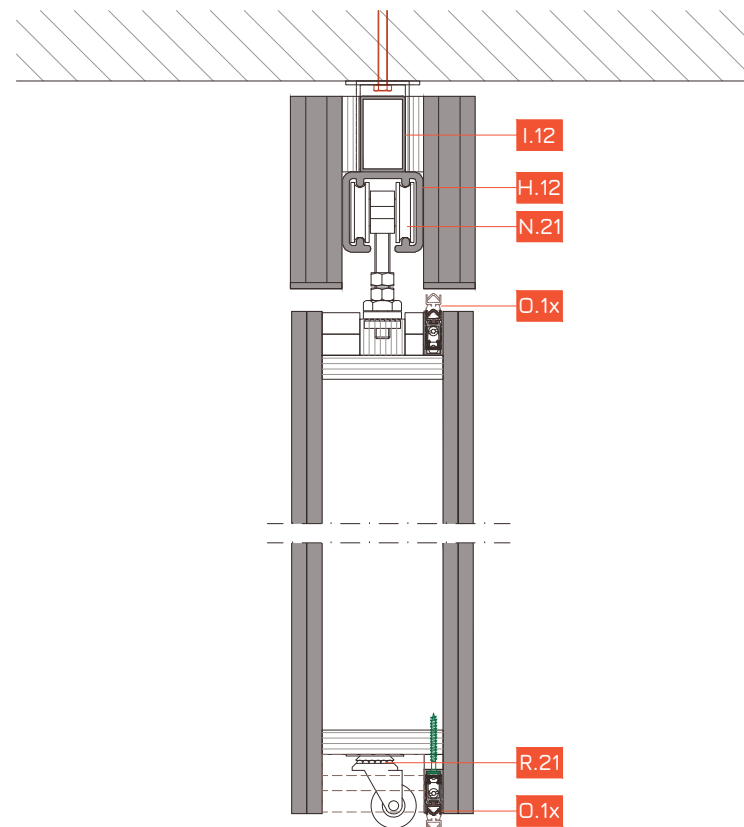
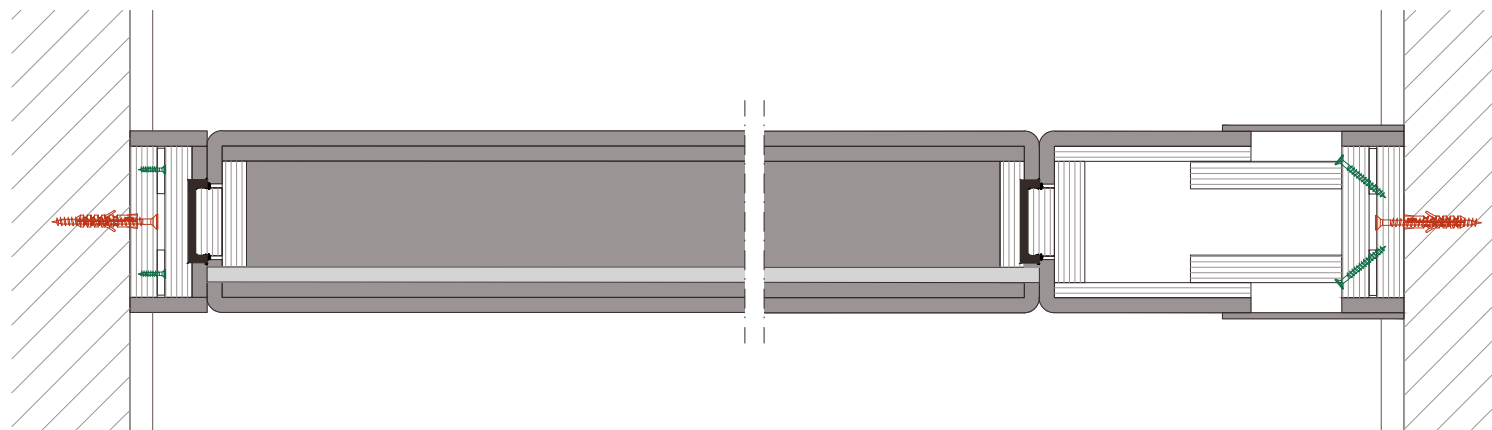
Tavola n.1

scala 1:20

data 08/11/2024

Guarnitura pannello

- H.12** Binario in alluminio pesante
- H.12** Profilo acciaio zincato 50x30
- N.21** Carrello in alluminio ruote in Nylon
- O.1x** Paraspifferi in alluminio
- R.21** Ruota in nylon/gomma



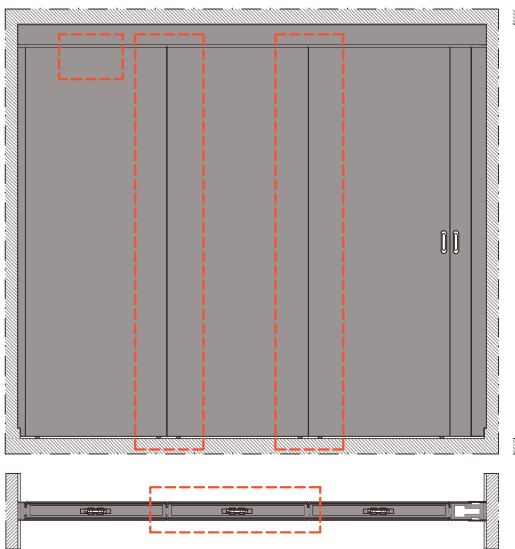
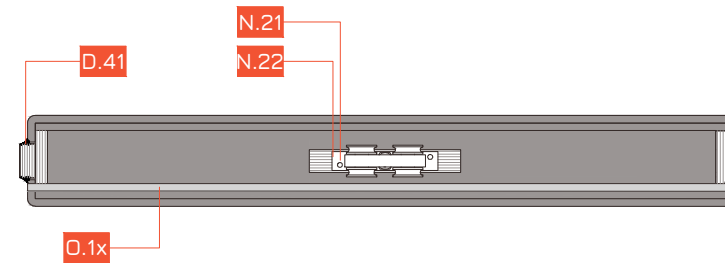
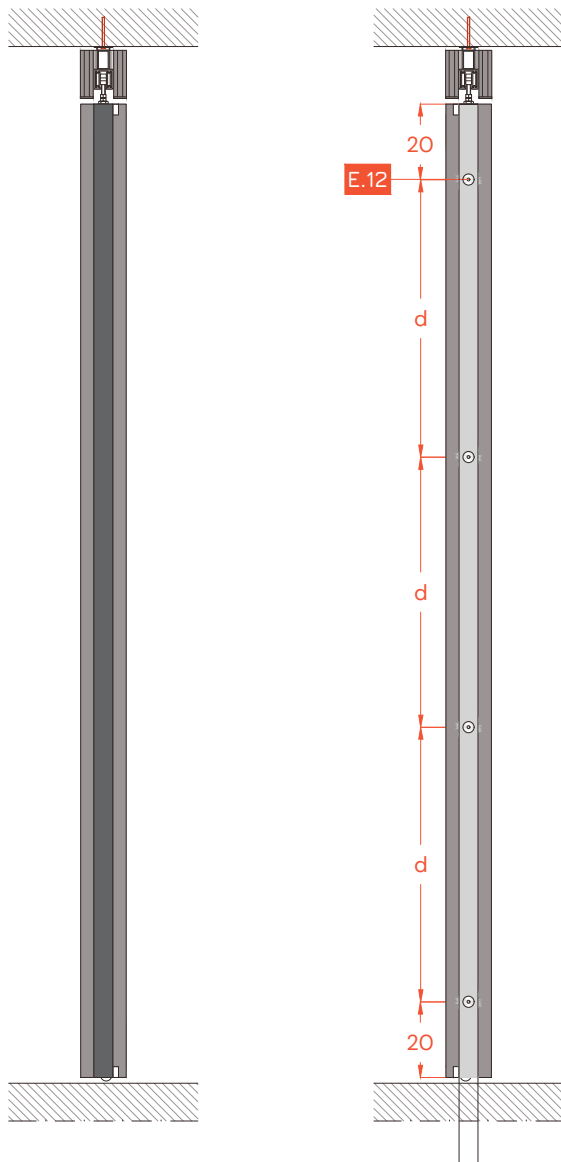
This drawing and the content represented are the exclusive property of AREA srl and cannot be used without their prior written consent. For site installations verify all dimensions and notify Area of any on-site discrepancies prior to construction. Drawing scale may be affected by printing, scanning, or coping. Do not scale drawings.



Archicart® | Area srl
via Isidoro Bracchi sn
95014 Giarre (CT) - Italy
+39 095 718 4730
www.archicart.com
info@archicart.com

Guarnitura pannello

- E.11** Magnete Ø20xØ4.3x10/M4 N-pole
- N.21** Carrello in alluminio ruote nylon
- N.22** Piastra di sospensione cuscinettata
- O.1x** Paraspifferi in alluminio
- D.41** Guarnizione frontale NERO



This drawing and the content represented are the exclusive property of AREA srl and cannot be used without their prior written consent. For site installations verify all dimensions and notify Area of any on-site discrepancies prior to construction. Drawing scale may be affected by printing, scanning, or coping. Do not scale drawings.



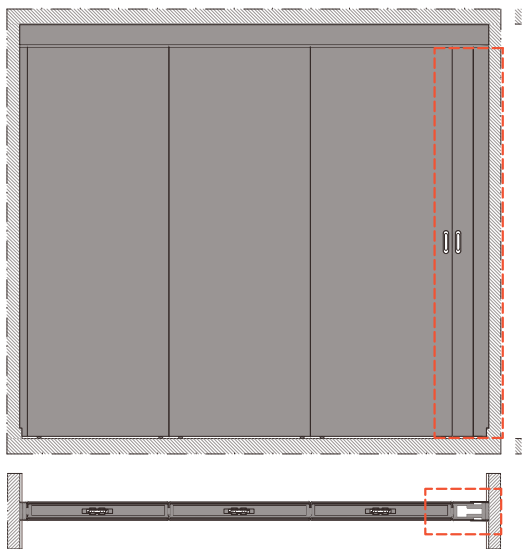
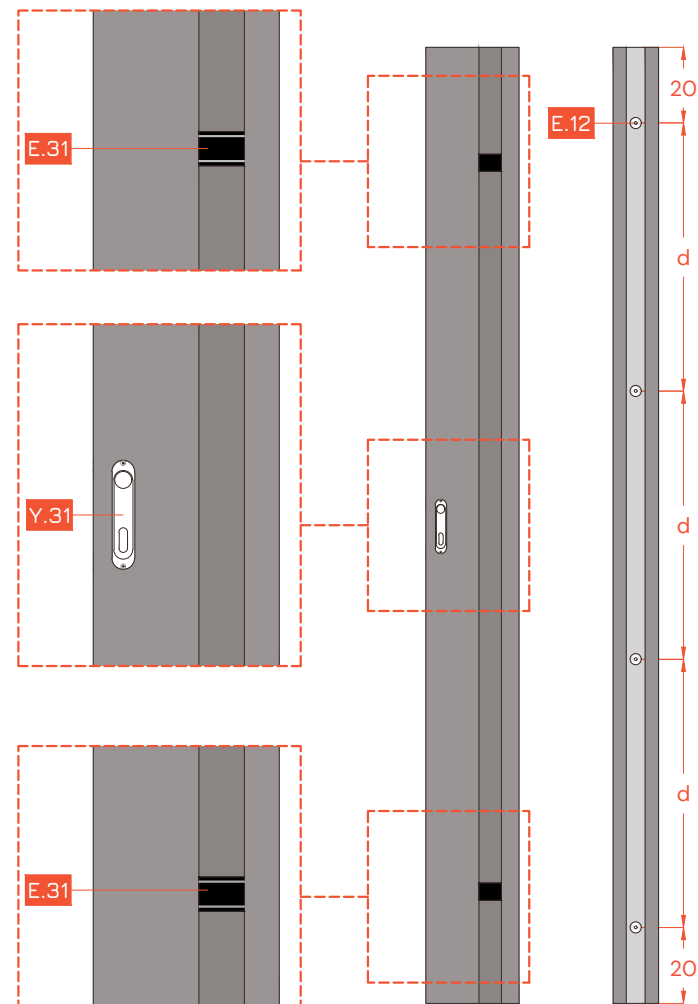
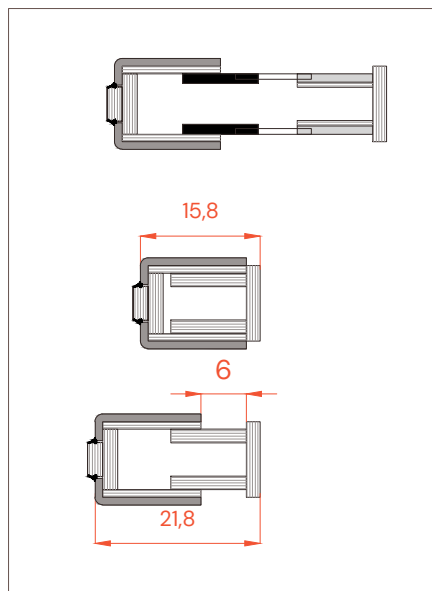
Archicart® | Area srl
 via Isidoro Bracchi sn
 95014 Giarre (CT) - Italy
 +39 095 718 4730
 www.archicart.com
 info@archicart.com

Riscontro mobile

E.12 Magnete Ø30×Ø5.3×15/M5 N-pole

E.31 Guida a cuscinetti

Y.31 Maniglia AGB Scivola Kit F cieca



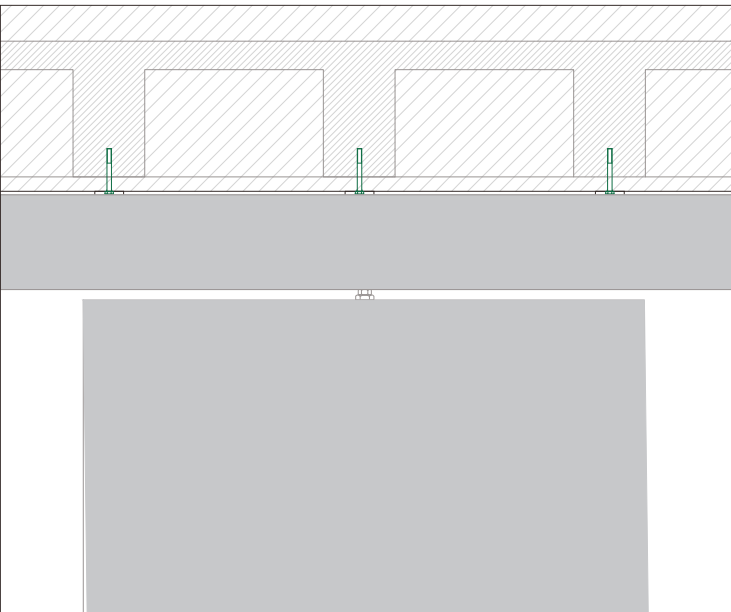
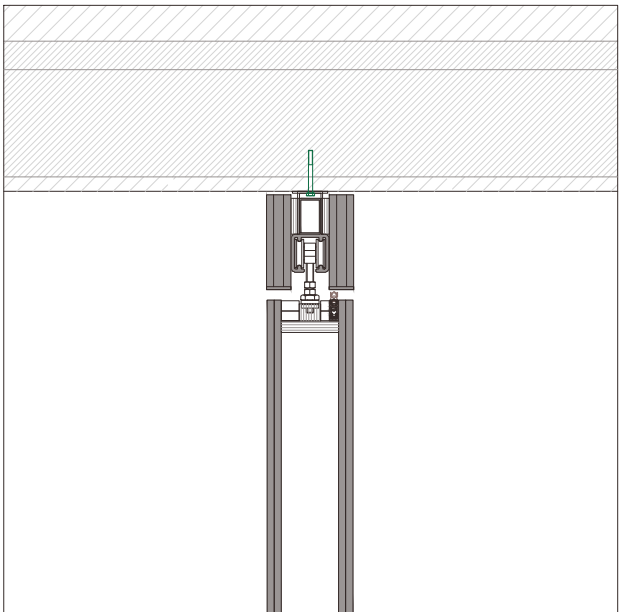
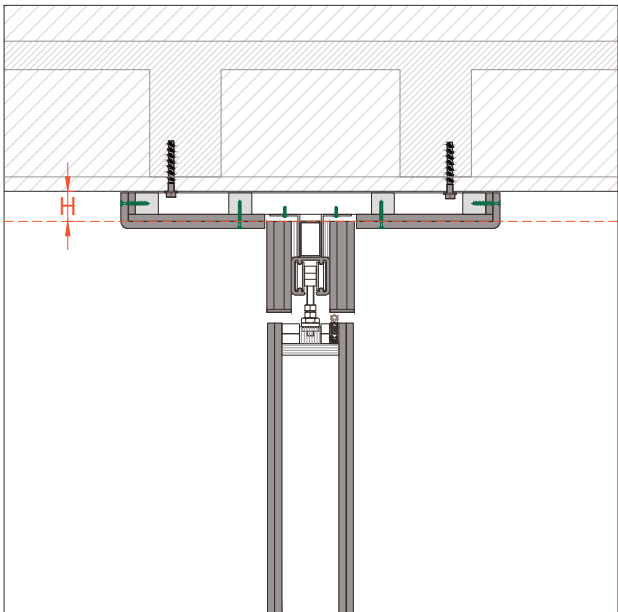
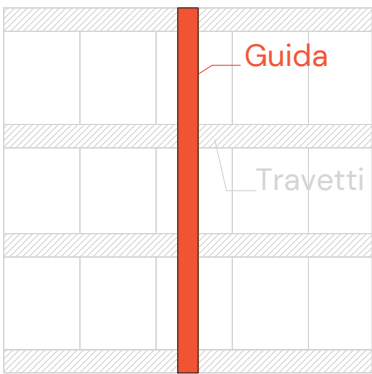
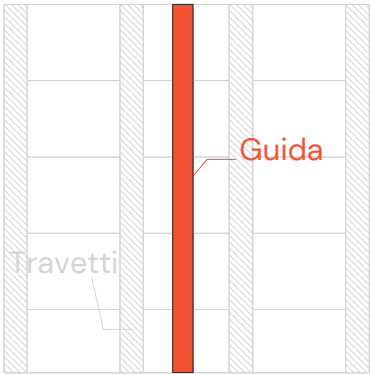
This drawing and the content represented are the exclusive property of AREA srl and cannot be used without their prior written consent. For site installations verify all dimensions and notify Area of any on-site discrepancies prior to construction. Drawing scale may be affected by printing, scanning, or coping. Do not scale drawings.



Archicart® | Area srl
via Isidoro Bracchi sn
95014 Giarre (CT) - Italy
+39 095 718 4730
www.archicart.com
info@archicart.com

A FISSAGGIO SU SOLAIO LATERO-CEMENTIZIO

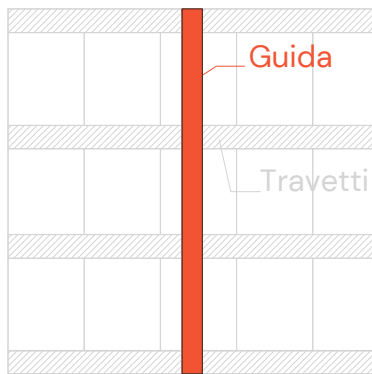
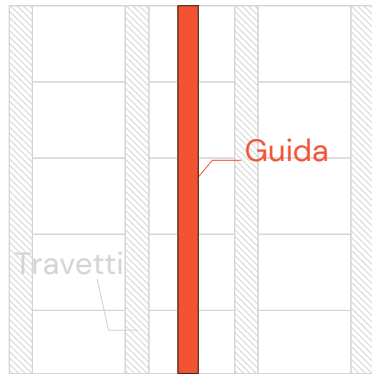
H < 40 cm



This drawing and the content represented are the exclusive property of AREA srl and cannot be used without their prior written consent. For site installations verify all dimensions and notify Area of any on-site discrepancies prior to construction. Drawing scale may be affected by printing, scanning, or coping. Do not scale drawings.

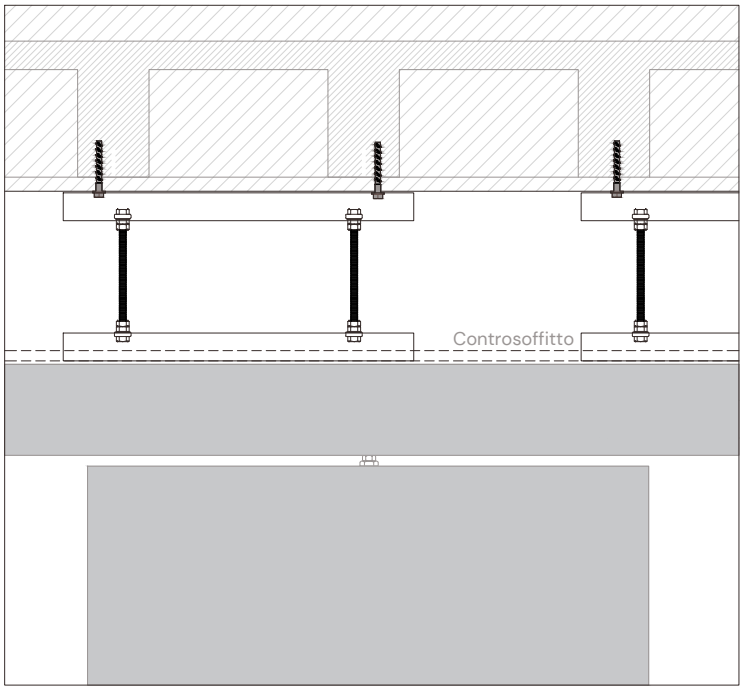
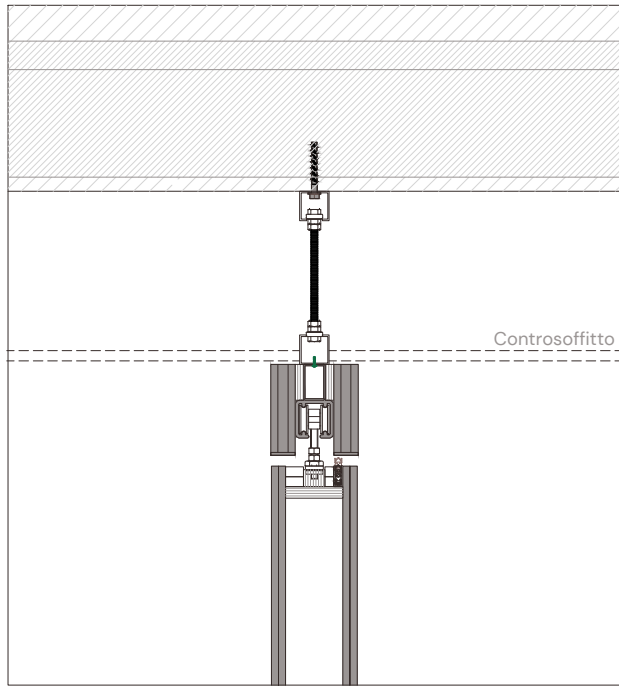
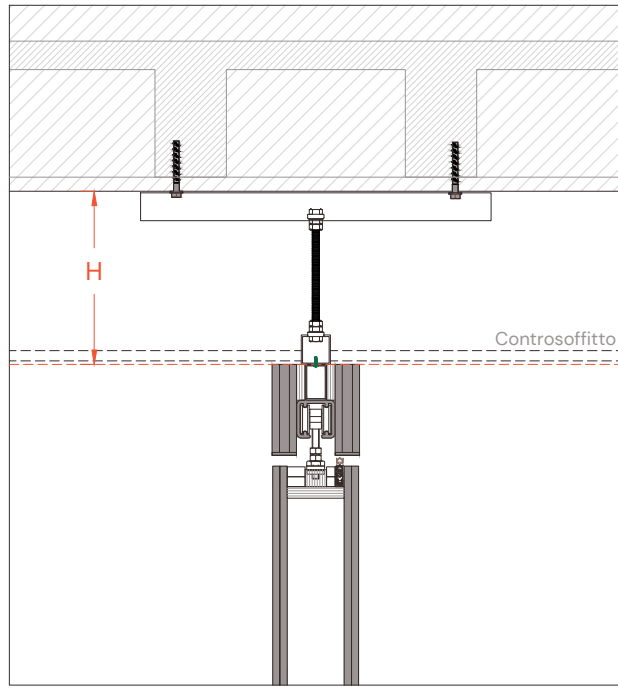


Archicart® | Area srl
via Isidoro Bracchi sn
95014 Giarre (CT) - Italy
+39 095 718 4730
www.archicart.com
info@archicart.com



B FISSAGGIO SU SOLAIO LATERO-CEMENTIZIO

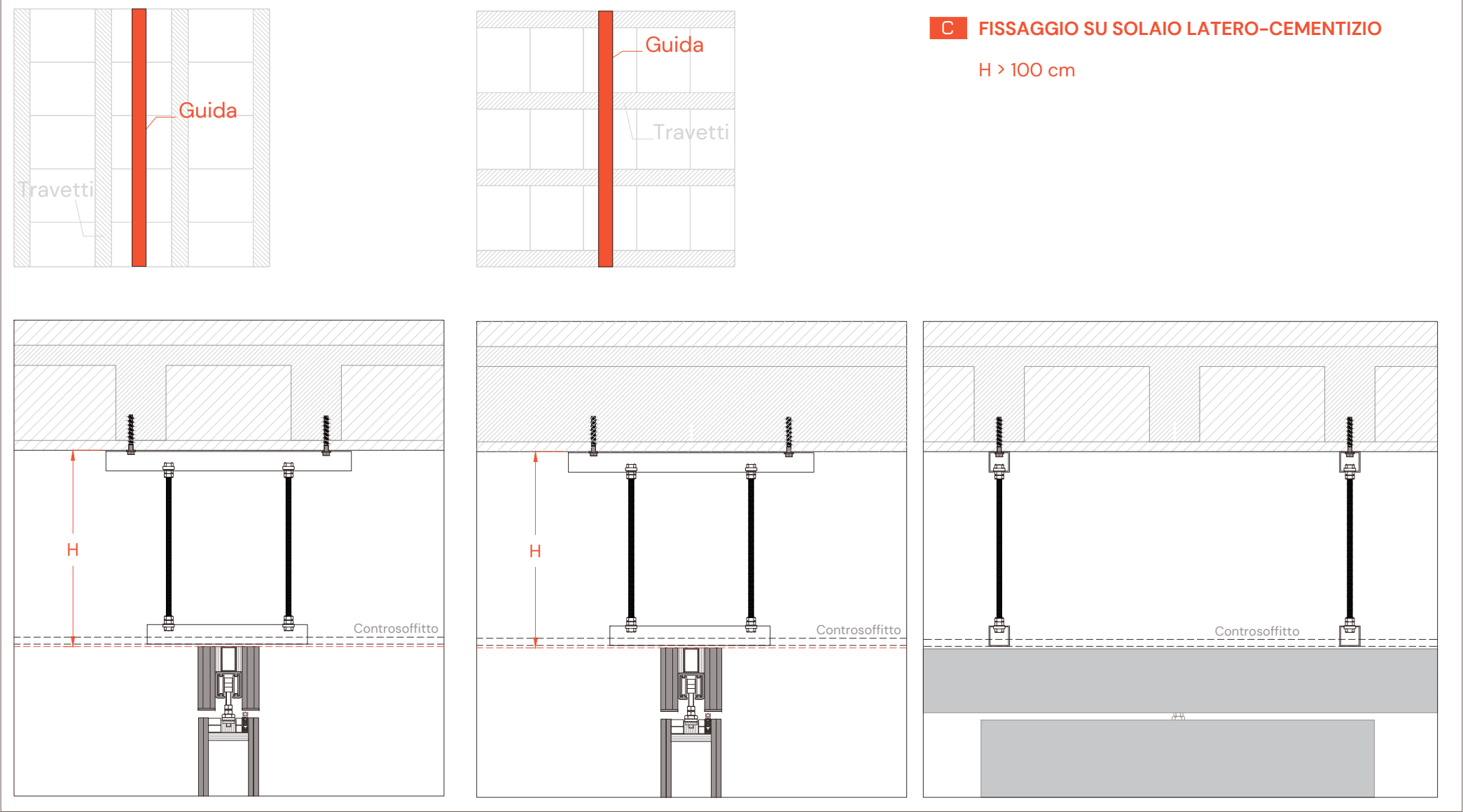
40 cm < H < 100 cm



This drawing and the content represented are the exclusive property of AREA srl and cannot be used without their prior written consent. For site installations verify all dimensions and notify Area of any on-site discrepancies prior to construction. Drawing scale may be affected by printing, scanning, or coping. Do not scale drawings.



Archicart® | Area srl
via Isidoro Bracchi sn
95014 Giarre (CT) - Italy
+39 095 718 4730
www.archicart.com
info@archicart.com



This drawing and the content represented are the exclusive property of AREA srl and cannot be used without their prior written consent. For site installations verify all dimensions and notify Area of any on-site discrepancies prior to construction. Drawing scale may be affected by printing, scanning, or coping. Do not scale drawings.



Archicart® | Area srl
via Isidoro Bracchi sn
95014 Giarre (CT) - Italy
+39 095 718 4730
www.archicart.com
info@archicart.com

D FISSAGGIO SU TRAVE IN ACCIAIO

