

This drawing and the content represented are the exclusive property of AREA srl and cannot be used without their prior written consent. For site installations verify all dimensions and notify Area of any on-site discrepancies prior to construction. Drawing scale may be affected by printing, scanning, or coping. Do not scale drawings.

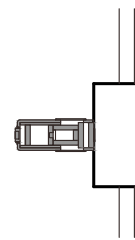
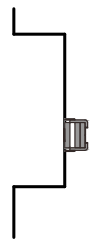
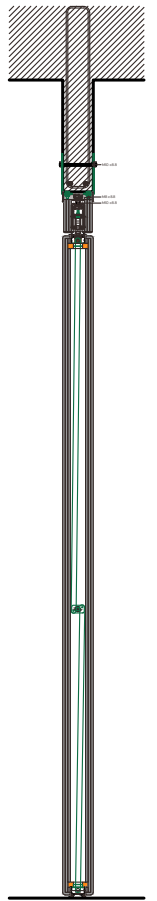
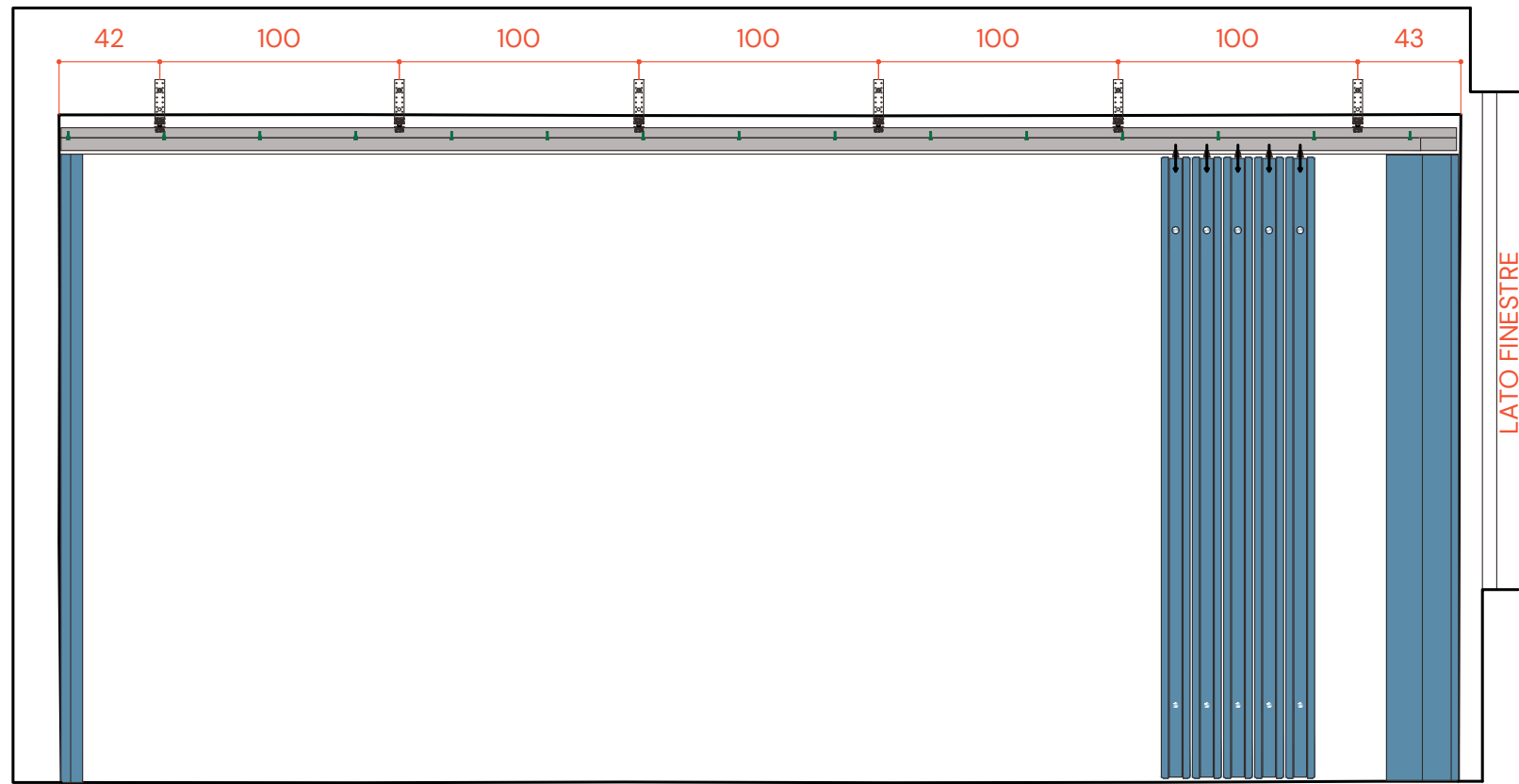


Archicart® | Area srl
via Strada 17 34/C
95018 Riposto (CT) - Italy
+39 095 74 153 74
www.archicart.com
info@archicart.com

scala 1:30

PAPER MO-WALL T - Tav.1

data 2/17/2026



This drawing and the content represented are the exclusive property of AREA srl and cannot be used without their prior written consent. For site installations verify all dimensions and notify Area of any on-site discrepancies prior to construction. Drawing scale may be affected by printing, scanning, or coping. Do not scale drawings.

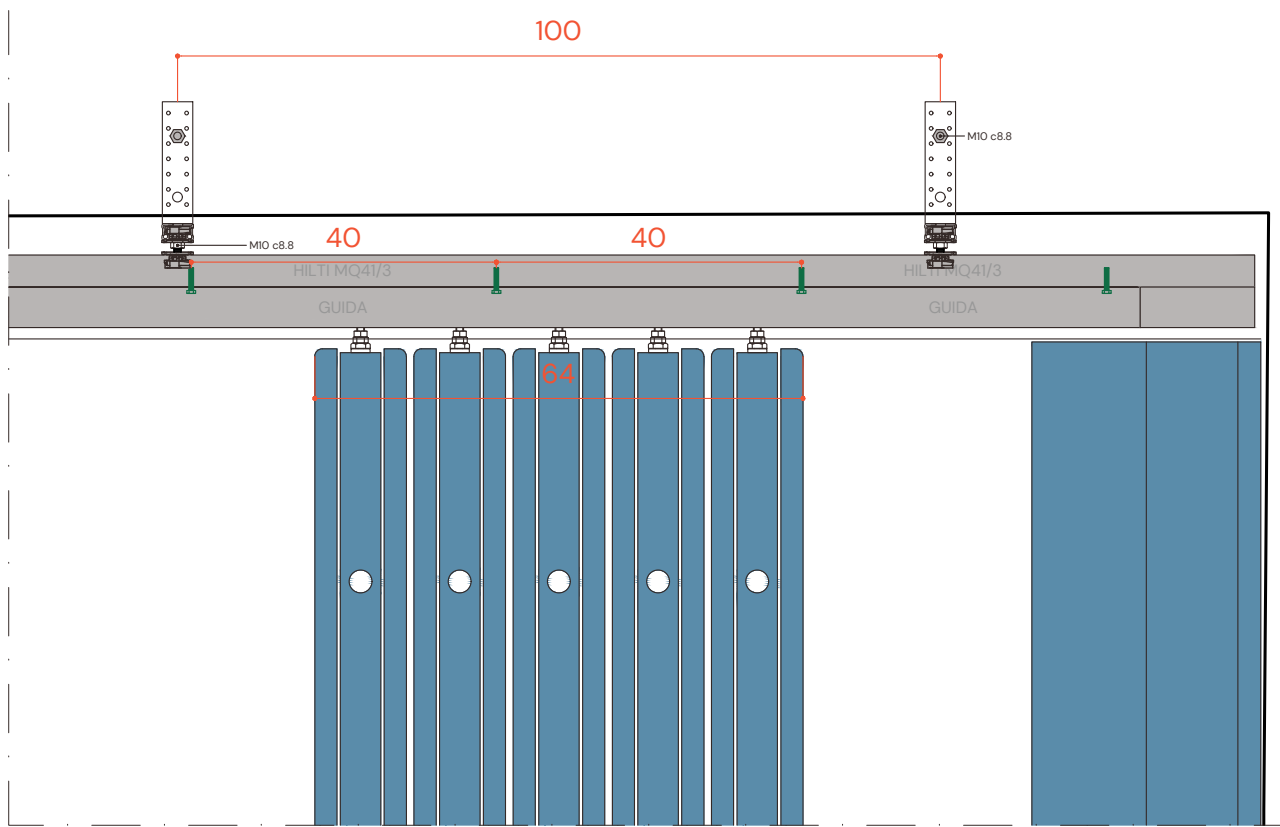
Archicart® | Area srl
 via Strada 17 34/C
 95018 Riposto (CT) - Italy
 +39 095 74 153 74
 www.archicart.com
 info@archicart.com

scala 1:30

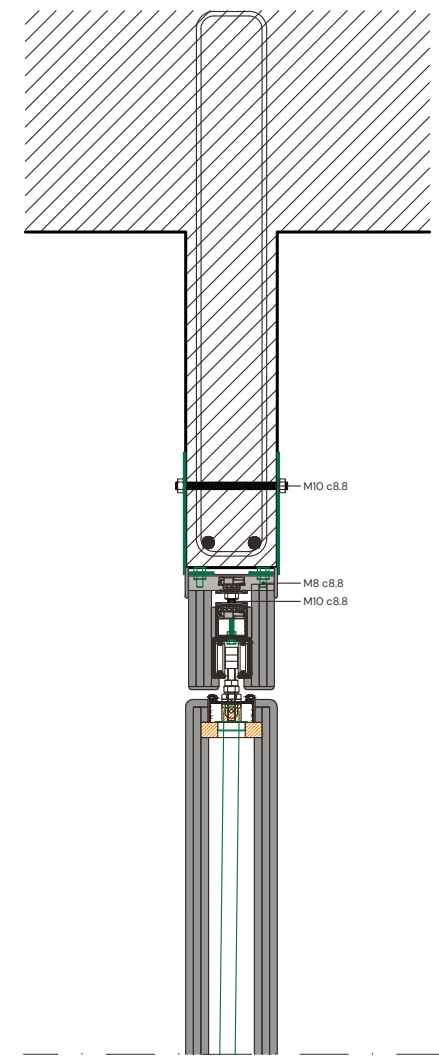
PAPER MO-WALL T - Tav.2

data 2/17/2026

Peso pannello	kg	43,0
Peso guida	kg/cm	0,06
Lunghezza guida	cm	584
Numero pannelli	n	5
Estensione impacchettamento	cm	64
Peso parete impacchettata	kg	219



Sezione 1



Sezione 2

This drawing and the content represented are the exclusive property of AREA srl and cannot be used without their prior written consent. For site installations verify all dimensions and notify Area of any on-site discrepancies prior to construction. Drawing scale may be affected by printing, scanning, or coping. Do not scale drawings.



Archicart® | Area srl
 via Strada 17 34/C
 95018 Riposto (CT) - Italy
 +39 095 74 153 74
 www.archicart.com
 info@archicart.com

scala 1:10

PAPER MO-WALL T - Tav.3
Dettagli

data 2/17/2026